

Integrované krokové pohony ILS (příruba 85 mm)

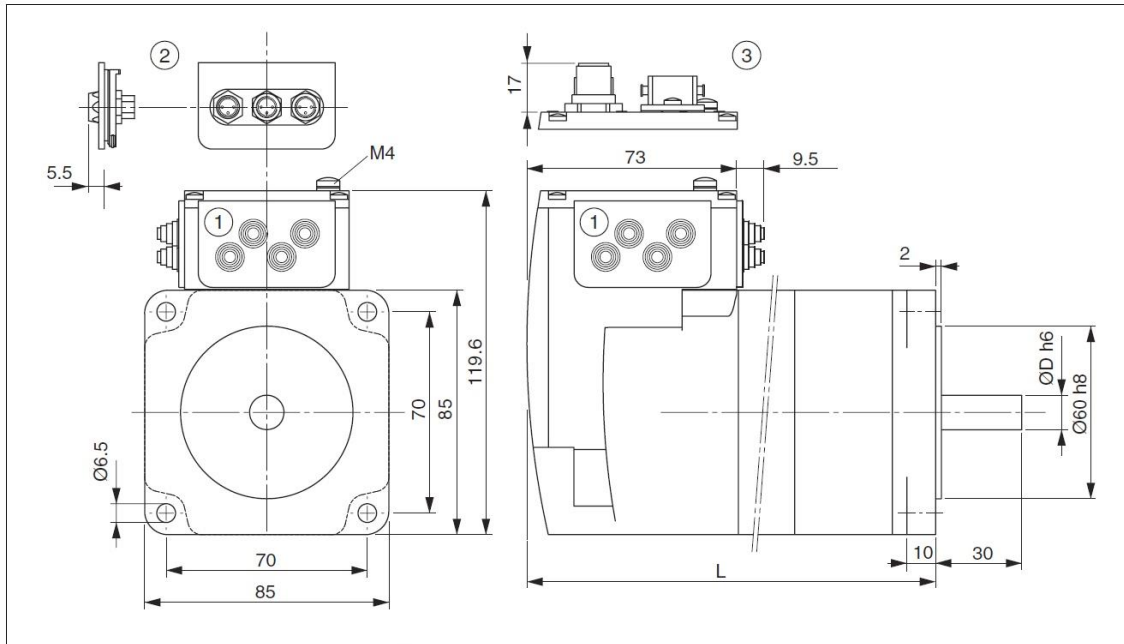


Figure 3.3 Dimensions

- (1) Insert with cable entry (accessory)
- (2) Insert kit (accessory)
- (3) Industrial connector (option)

Total length L

ILS••851...	••1A0	••1F0
L	[mm] 140.6	187.3
ILS••852...	••1A0	••1F0
L	[mm] 170.6	217.3
ILS••853...	••1A0	••1F0
L	[mm] 200.6	247.3

Shaft diameter D

ILS••851...	mm	••1•0
D	[mm] 12	
ILS••852...		••1•0
D	[mm] 12	
ILS••853...		••1•0
D	[mm] 14	