

Integrované krokové pohony ILS (příruba 57.2 mm)

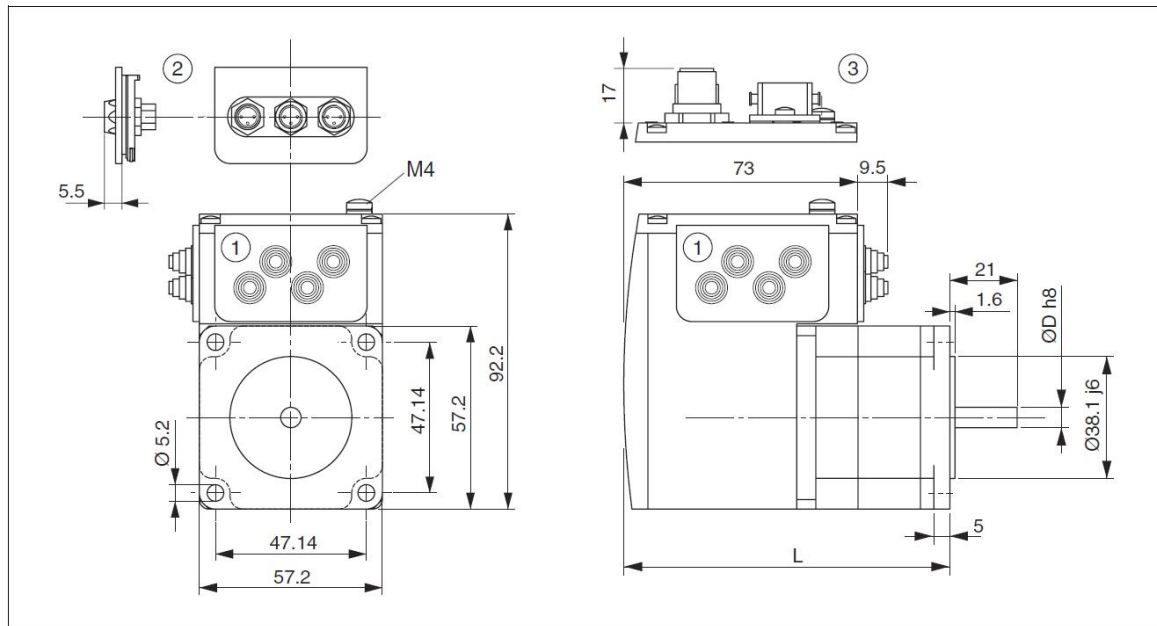


Figure 3.2 Dimensions

- (1) Insert with cable entry (accessory)
- (2) Insert kit (accessory)
- (3) Industrial connector (option)

Total length *L*

| | |
|--------------------|---------------|
| ILS••571... | P•1A0 |
| Length [mm] | 101.9 |
| ILS••572... | 2P•1A0 |
| Length [mm] | 115.9 |
| ILS••573... | 3P•1A0 |
| Length [mm] | 138.9 |

Shaft diameter *D*

| | |
|--------------------|---------------|
| ILS••571... | P•1A0 |
| D [mm] | 6.35 |
| ILS••572... | 2P•1A0 |
| D [mm] | 6.35 |
| ILS••573... | 3P•1A0 |
| D [mm] | 8 |